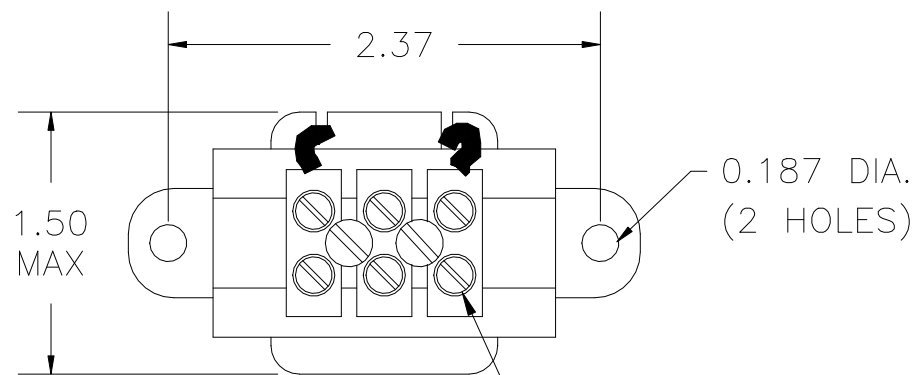
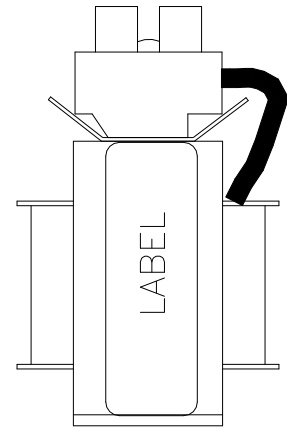
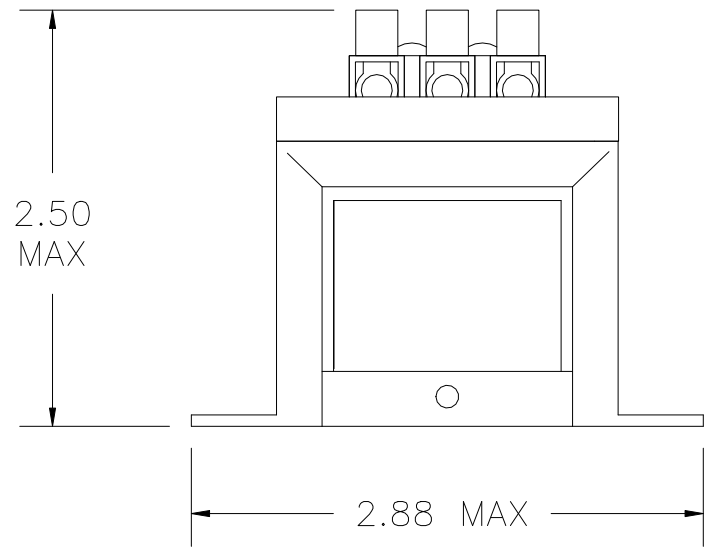


INDUCTANCE	LOSSES	WEIGHT
20 mH	4 Watts	1 Lbs

NO.	CHANGE DESCRIPTION	BY	DATE	C'K'D
04	REVISED PER ECR 7175, ADDED CD	RS	8/23/10	



WIRE RANGE: 22-14 AWG  
 CAUTION-TERMINAL SCREW TIGHTENING  
 TORQUE: 4.50 in-lb MAX.



UNLESS OTHERWISE SPECIFIED, DIMENSIONS ARE IN INCHES [mm] AND TOLERANCES ARE:

DECI.                      FRAC.  
  
 ANGLES                      DRILLED HOLES

PART NAME:	DC LINK CHOKE
DESCRIPTION:	OUTLINE DIMENSION
FINISH:	

MTE CORPORATION MENOMONEE FALLS, WISCONSIN			
CD 2RB003			REV. 04
SCALE	NTS	DATE 04/23/96	C'K'D
REF.	DR. BY	CEL	APP'D

FILE: